

TVM ROD SUPPORTED CANOPY ASSEMBLY AND INSTALLATION INSTRUCTIONS

STEP 1: Determine Canopy Attachment Points on the Wall

- From the canopy drawings, determine the height of the top of the fascia and mark the wall.
- From the canopy drawings, determine the horizontal centerline and vertical spacing of the support rod wall brackets and layout these points on the wall. The horizontal centerline will be measured from the mark made for the top of the fascia. Confirm that the vertical spacing works with the roof pans that are being used.
- Mark and drill all necessary holes in the wall for fasteners to match wall brackets and fascia. See canopy drawings for required fasteners.

Step 2: Attach Corner Angles and Splices to Fascia

- Attach the outside and inside corner angles to the fascia piece that will attach to the wall and the fascia that will make up the front piece (Figure 1).
- If the canopy length requires the fascia to have a splice, attach the splice to one of the pieces of fascia (Figure 2). If the length of the canopy is not too long, attach the other piece of fascia to the splice (Figure 3) before attaching the fascia to the wall. Seal all around the splice and the screws in the gutter portion of the fascia (Figure 3).
- If the canopy length requires more than one splice, attach a splice (Figure 2) to the same end of each piece of fascia except the last piece which finishes out the canopy length.

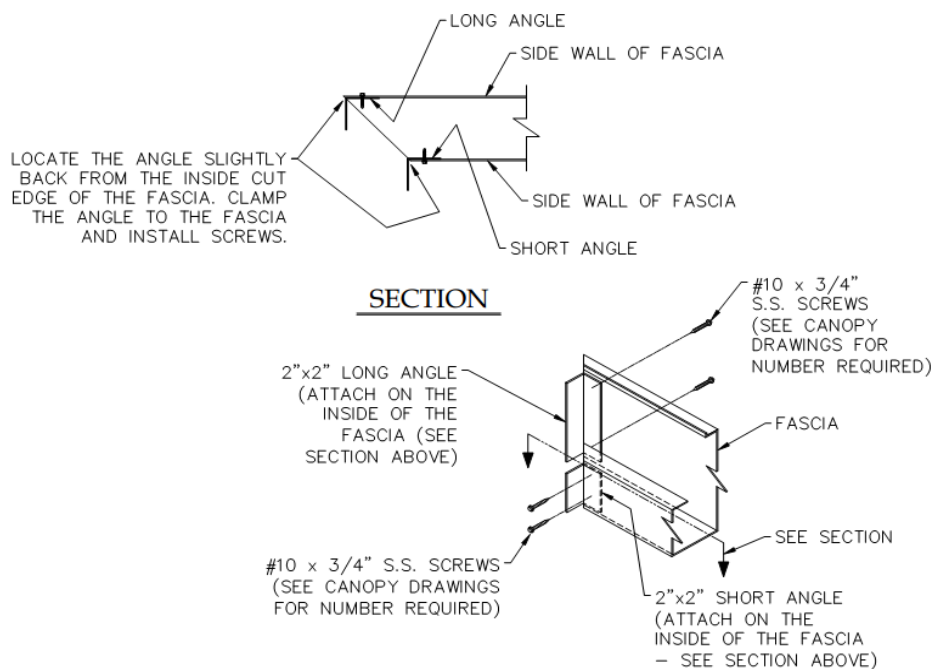


FIGURE 1

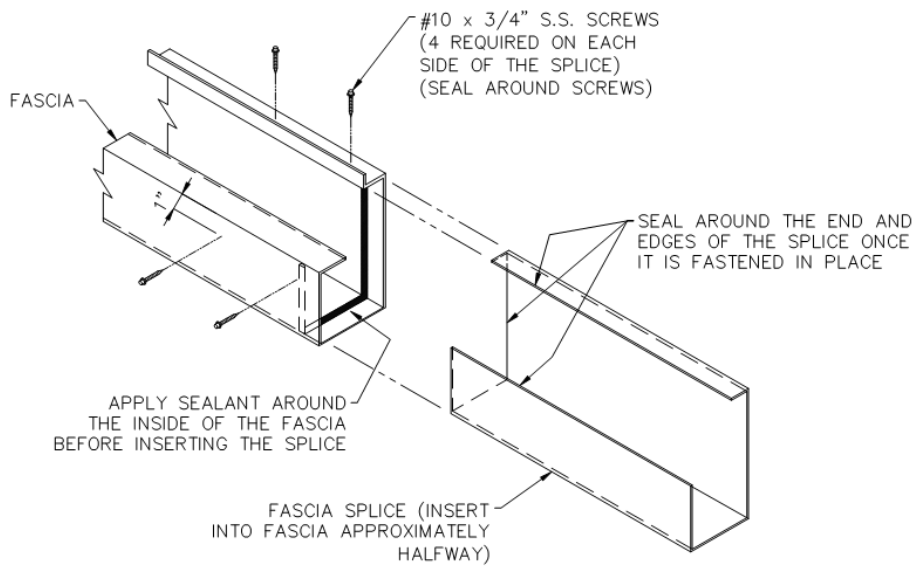


FIGURE 2

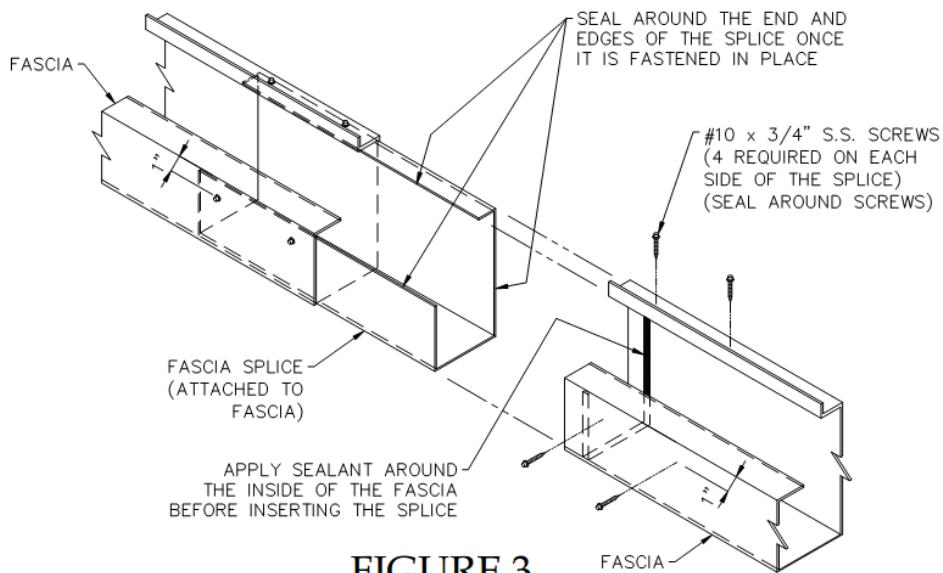


FIGURE 3

STEP 3: Attach Fascia and Wall Brackets to the Wall

- A. Using the fasteners provided, attach the fascia piece to the wall at the previously marked location per the canopy drawings.
- B. Using the fasteners provided, attach the support rod wall brackets to the wall at the previously marked locations per the canopy drawings.

STEP 4: Attach Support Rod and Strut

- A. Attach the saddle bracket to the bottom of the support rod with a $\frac{1}{2}$ " dia. SS bolt but only hand tighten the nut.
- B. Slide the support strut into the saddle bracket but do not attach them together so that the saddle bracket can slide freely.
- C. Attach the support rod to the wall bracket with a $\frac{1}{2}$ " dia. SS bolt but only hand tighten the nut. Attach the support strut to the top lip of the fascia that is attached to the wall using (2) #14 x $1\frac{1}{4}$ " SS screws (Figure 4).

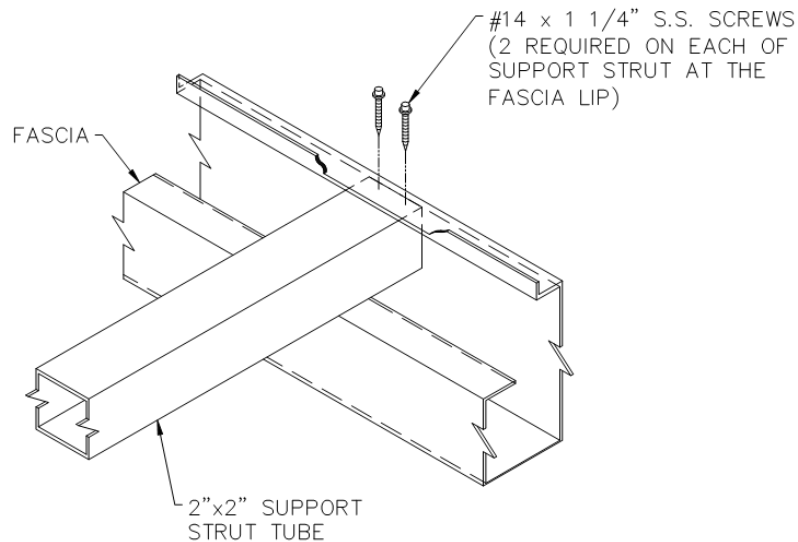


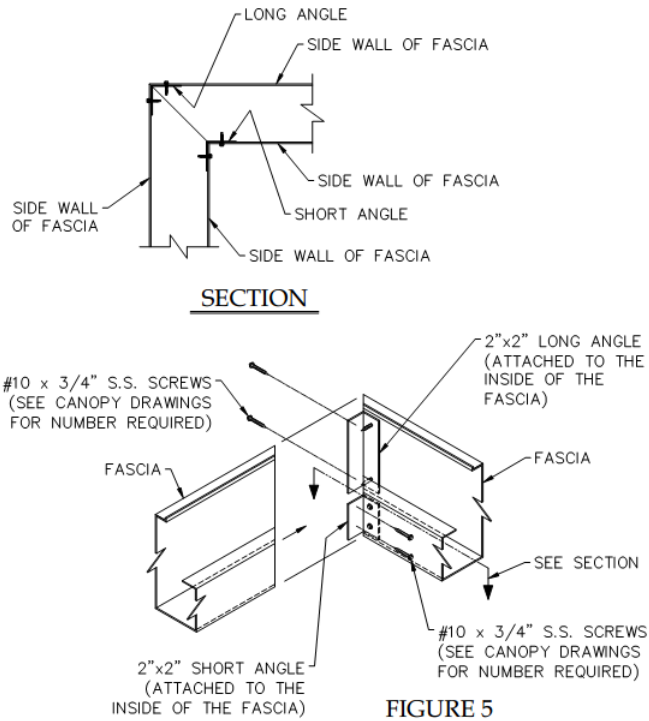
FIGURE 4

- D. Adjust the saddle bracket along the strut to give the canopy slope. Slope the canopy according to the means of drainage. Slope toward the building for a downspout and slope away from the building for a scupper.
- E. Once the slope has been set, make a mark on the strut for reference where saddle bracket should be. Drill holes in the support strut to match the saddle bracket and fasten the two together with (2) $\frac{1}{2}$ " dia. SS bolts.
- F. Once all the support rods are in place and the slope is set, tighten all of the bolts.

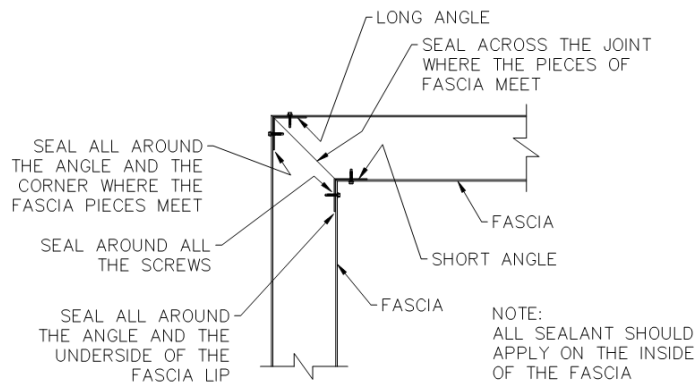
STEP 5: Attach Front and Side Fascia

- A. Slide the end piece of fascia over the corner angles that are attached to the wall piece of fascia and attach with #10 x $\frac{3}{4}$ " SS screws (Figure 5). See the canopy drawings for the required number of screws.

- B. Slide the front piece of fascia onto the two end pieces making sure that the corner angles are inside the side pieces of fascia. Attach together with #10 x 3/4" SS screws (Figure 5). See canopy drawings for the required number of screws.

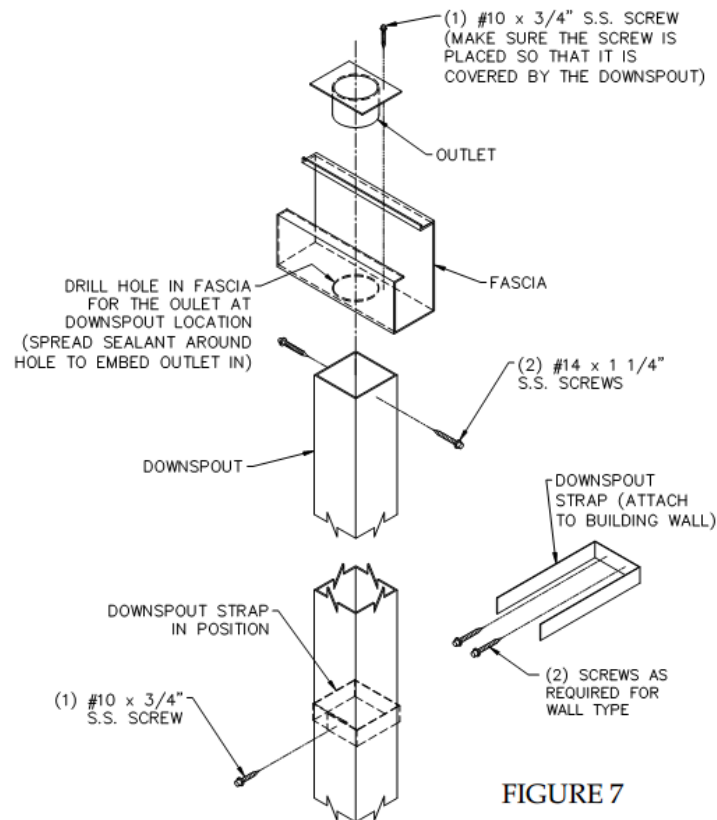


- C. Attach the front piece of fascia to each support strut with (2) #14 x 1 1/4" SS screws (Figure 4).
- D. Once together, seal all around the corner angles, the screws and the edges where the two pieces of fascia touch (Figure 6) at each corner location.



STEP 6: Install downspout(s)

- A. If a downspout(s) is being used, then the outlet(s) needs to be installed in the fascia before the decking is installed. Drill the required hole in the fascia piece attached to the wall at the desired location of the downspout. See the canopy drawings for hole size requirement.
- B. Insert the downspout outlet into the fascia and down through the hole. Attach the outlet to the fascia with (1) #10 x 3/4" SS screw before the sealant is apply to hold the outlet in place. Seal all around the outlet flange plate (Figure 7).
- C. Slide the downspout up over the outlet and attach to the outlet with (2) #14 x 1 1/4" SS screws (Figure 7).
- D. Attach the bottom of the downspout to the wall with a strap (Figure 7).



STEP 7: Install Roof Pans

- A. Layout a starting point for the first pan to ensure that the support struts will fall inside the pans. This will vary depending on the style roof pan that is being used. Attach the first pan with SS screws with neoprene washers (Figure 8) to the fascia lip. See the canopy drawings for the size and number of screws to use.

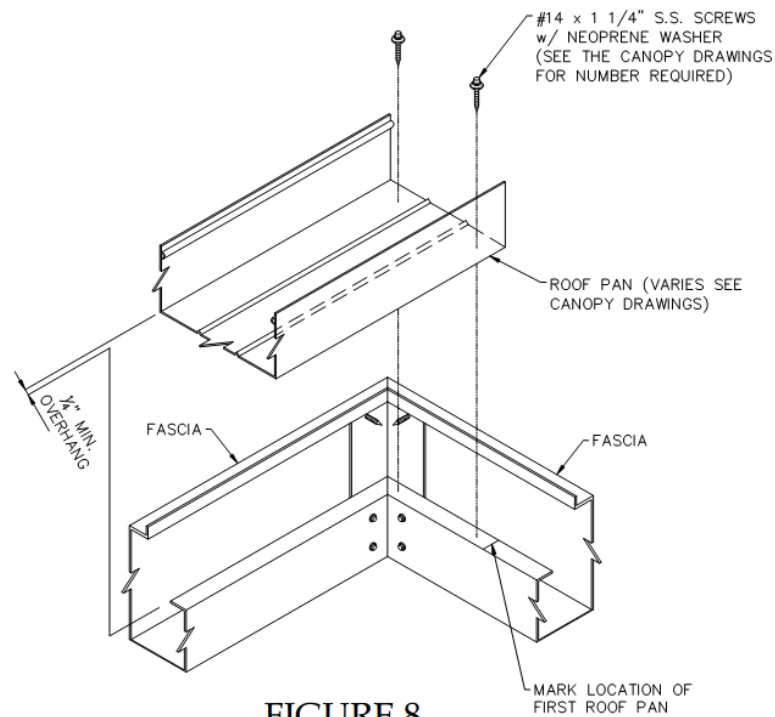


FIGURE 8

- B. Install the remaining roof pans. If pan and cap decking is being used, the caps will need to be fastened to the pans at the lock on each end with (2) #10 x 3/4" SS screws (Figure 9). If the projection of the canopy is greater than 6'-0", then additional #10 x 3/4" SS screws will need to be added in the pan lock at spacings no greater than 4'-0" o.c.

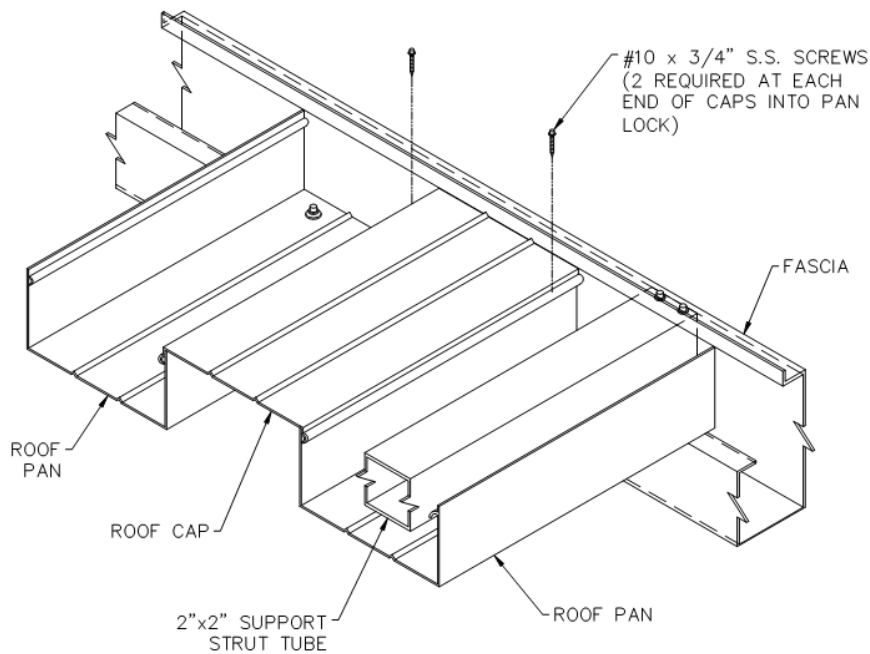
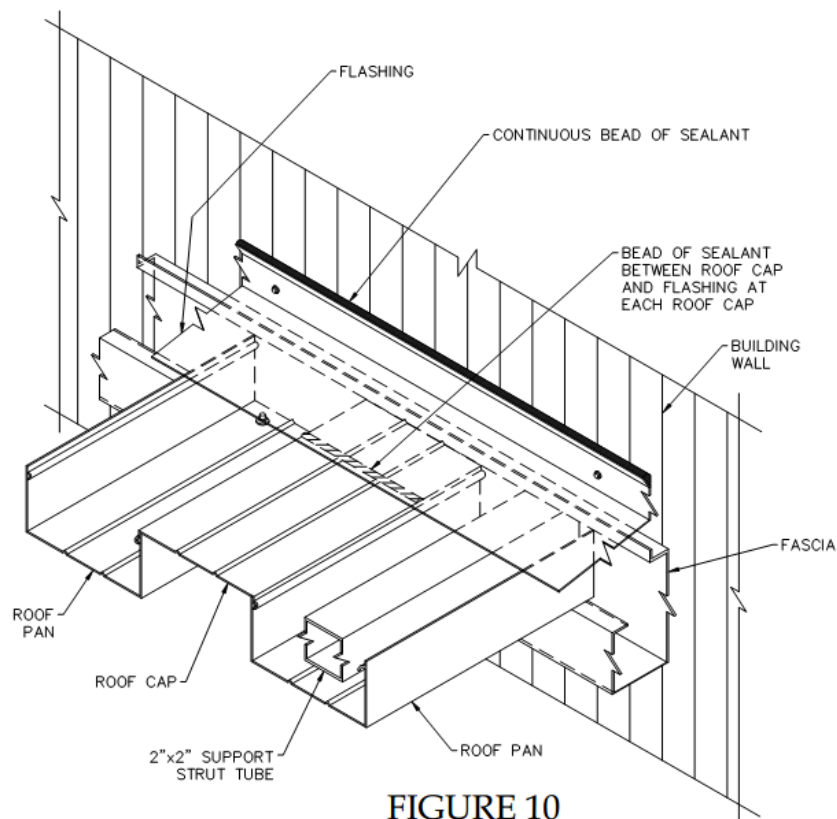


FIGURE 9

STEP 8: Install the Flashing

- A. Run a continuous bead of colored sealant along the top lip of the fascia where it intersects the building wall. Neatly wipe the sealant in to ensure that it bonds to the wall and the top lip of the fascia leaving no gaps.
- B. Install the flashing by fastening it to the wall using the required fasteners and spacing shown on the canopy drawings.
- C. Run a continuous bead of clear sealant along the caulk tray of the flashing where it intersects the building wall (Figure 10). Neatly wipe the sealant in to ensure that it bonds to the wall and the caulk tray of the flashing leaving no gaps. The use of tape on the wall may be required to ensure a neat and clean appearance.
- D. If the canopy is over 10'-0" in length, overlap the flashing approximately 6". Apply sealant between the pieces of flashing at each overlap. Apply sealant along the edge of the flashing at the seam and swirl the sealant to ensure that it bonds to the flashing leaving no gaps.
- E. If pan and cap roof decking is used, a bead of sealant is required between the top of each cap and the bottom of the flashing to prevent capillary action on the cap (Figure 10).



STEP 9: Install the Scupper(s)

- A. Cut a slot in the center of the bottom of the fascia (Figure 11) at the location(s) of the scupper(s) as shown on the canopy drawings. Before cutting the slot, verify that the location(s) shown on the drawings allow for the scupper to be placed on the hinge side of a single door and/or directed in a direction as to miss landing on concrete walkways, building walls, etc.
- B. Attach the scupper(s) to the bottom of the fascia using (2) #10 x 3/4" SS screws (Figure 11).

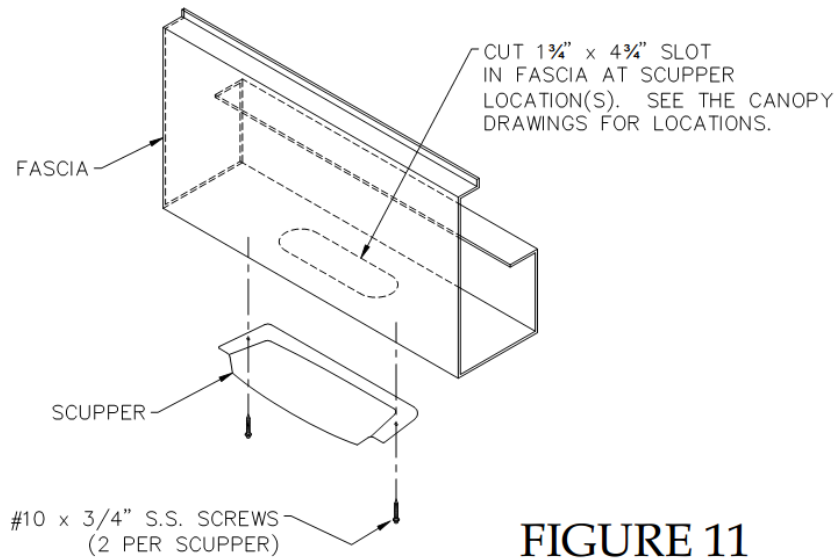


FIGURE 11

STEP 10: Clean the Canopy

- A. Wipe off any finger prints and dirt that may be on the canopy.
- B. Touch up any scratches with an artist brush. DO NOT SPRAY PAINT OVER SCRATCHES.

TENNESSEE VALLEY METALS

190 INDUSTRIAL PARK ROAD
OFFICE (205) 274-9500

P.O. Box 1100
(800) 551-2579

ONEONTA, AL 35121
FAX (205)274-9501

WWW.TVMETALS.COM