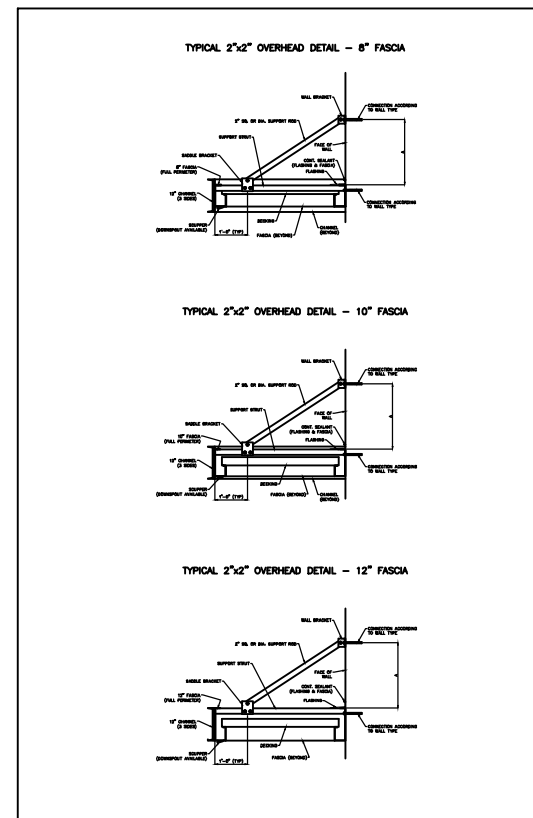
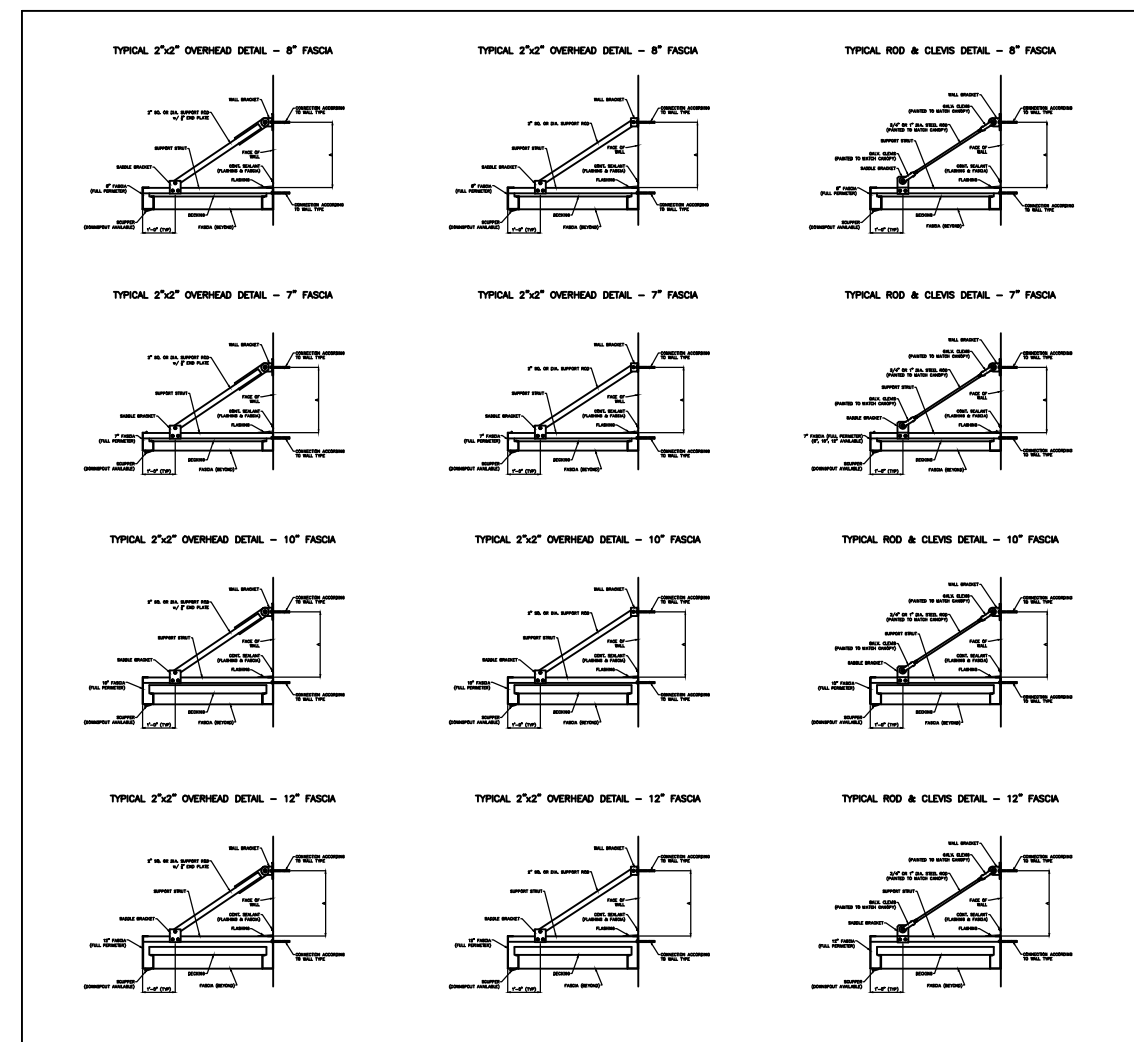


OVERHEAD CANOPY SECTIONS
w/ 12" CHANNEL

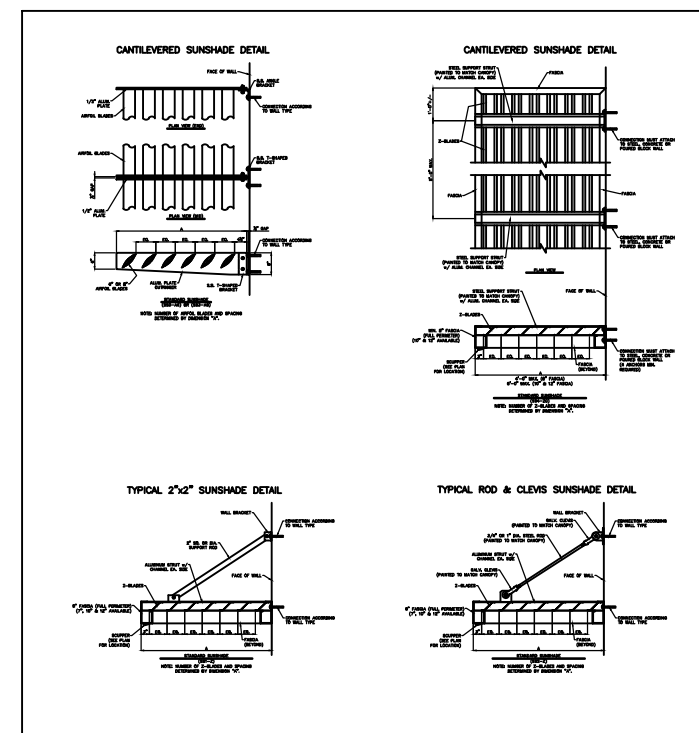


OVERHEAD CANOPY SECTIONS

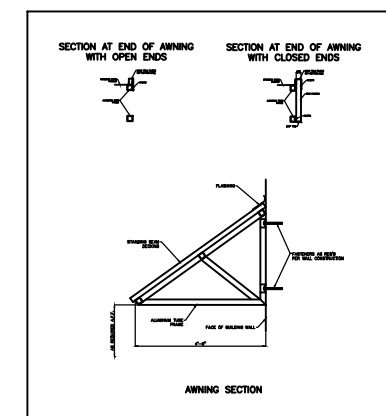


TO DETERMINE DIMENSION 'A':
4'-0" PROJECTION = 2'-0" RISE
FOR EVERY 1'-0" CHANGE IN PROJECTION
MODIFY BY 8" (EX. 5'-0" = 2'-8")

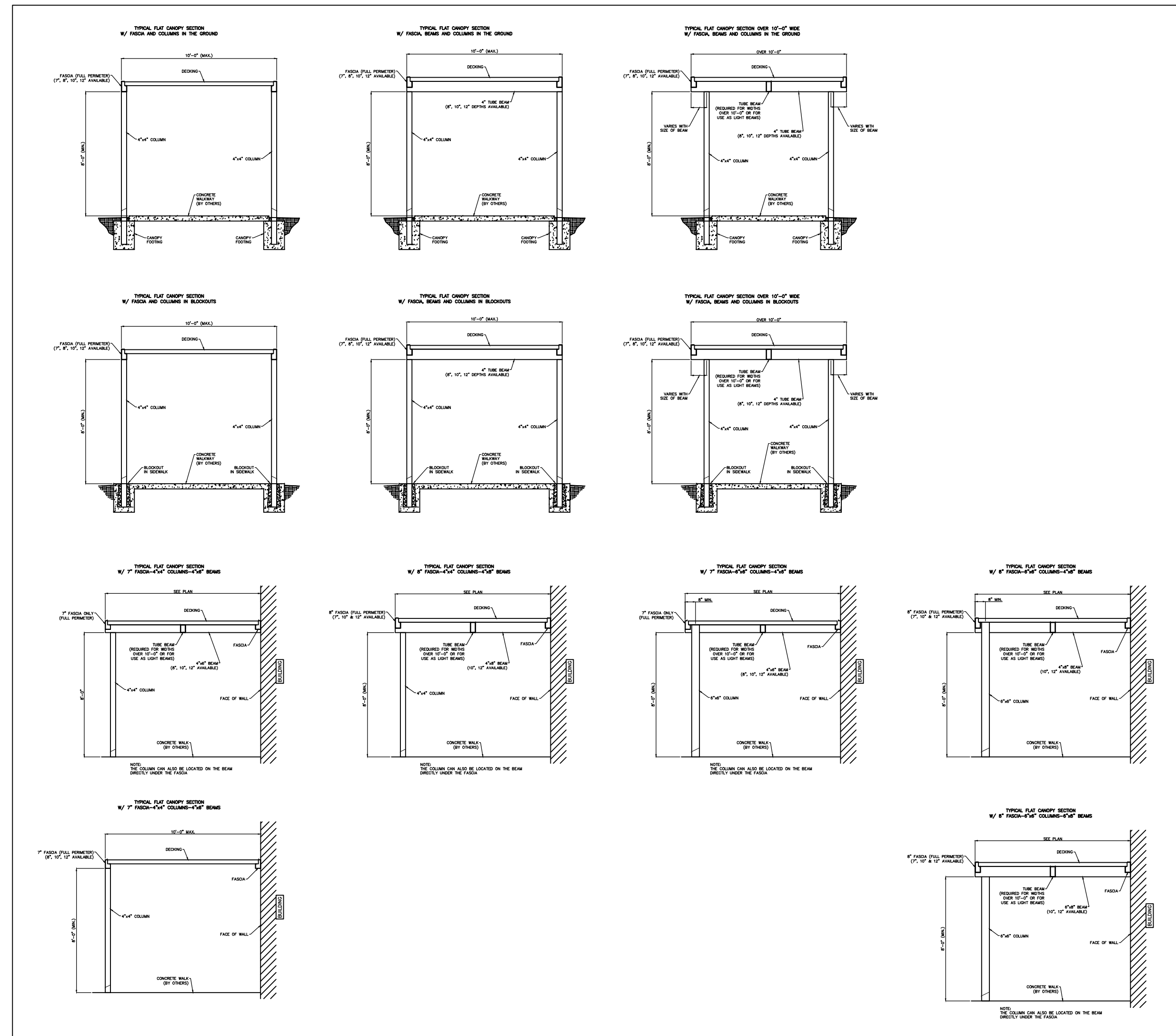
SUNSHADE SECTIONS



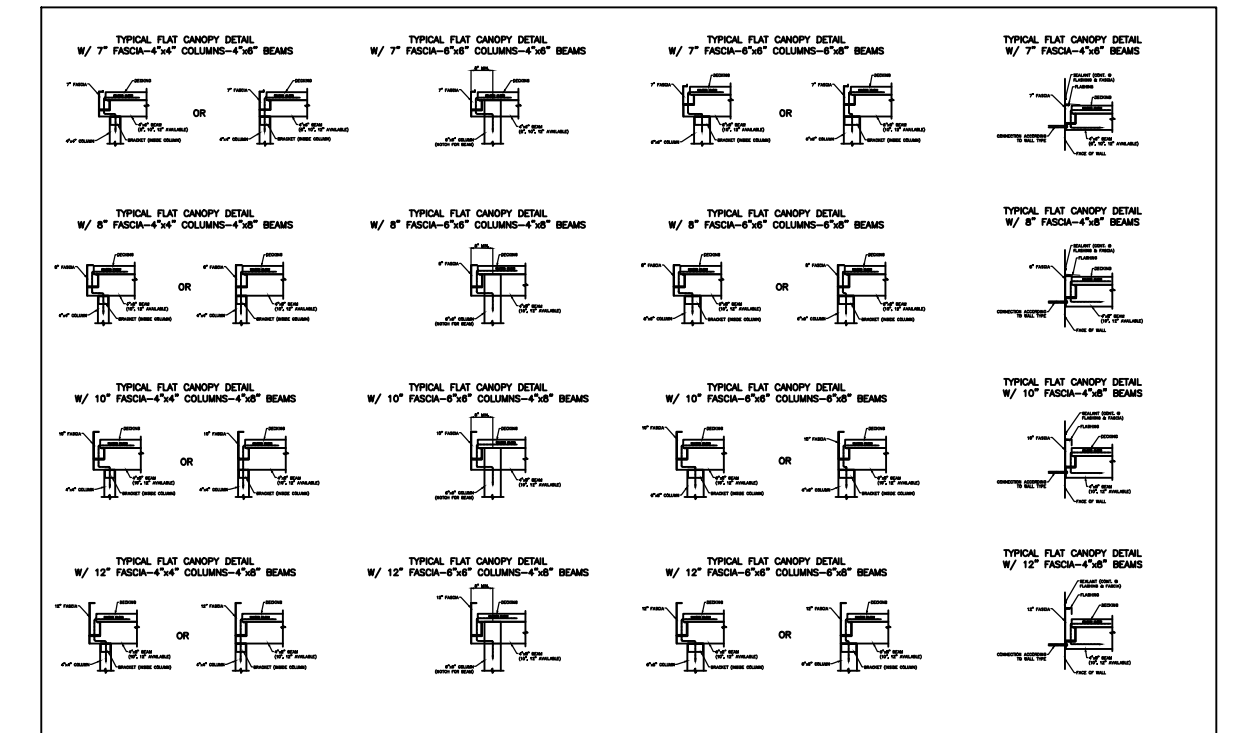
AWNING SECTIONS



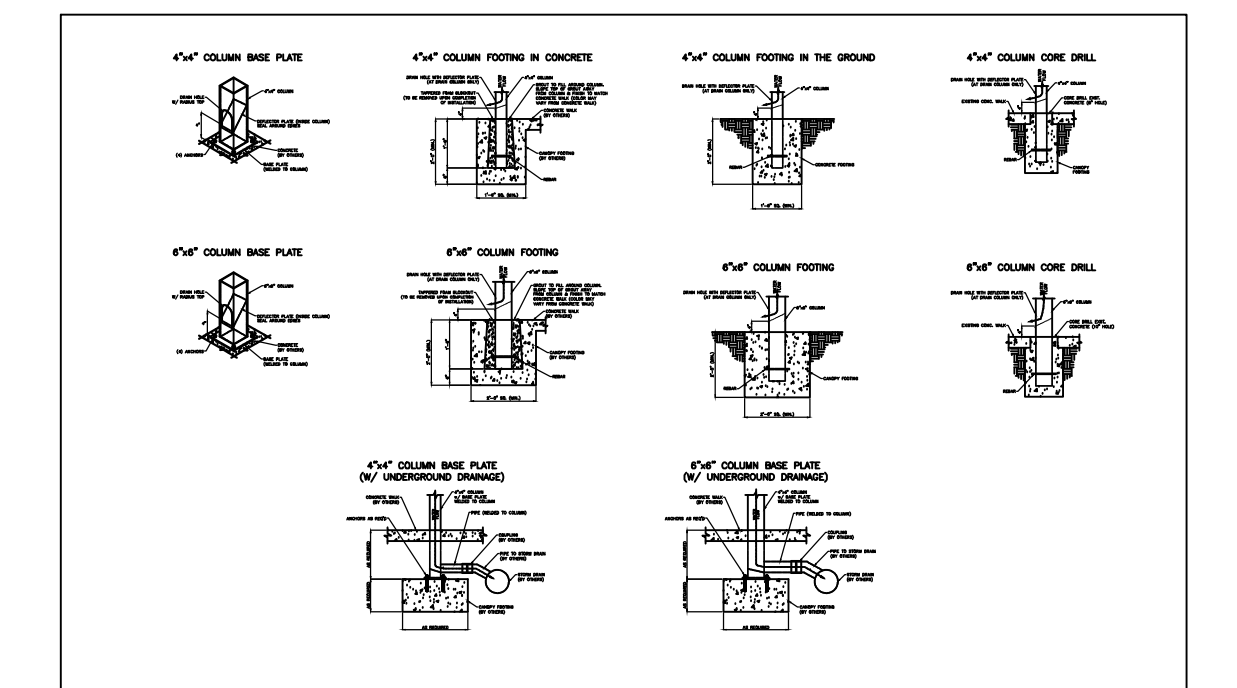
TYPICAL FLAT CANOPY SECTIONS



FLAT CANOPY DETAILS



TYPICAL CANOPY FOOTING DETAILS



CANTILEVER CANOPY SECTIONS

