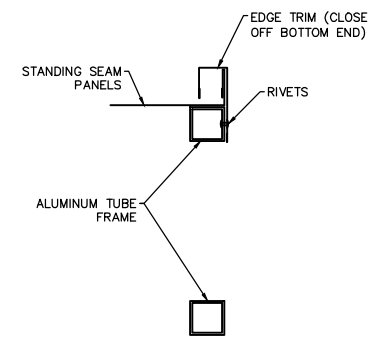
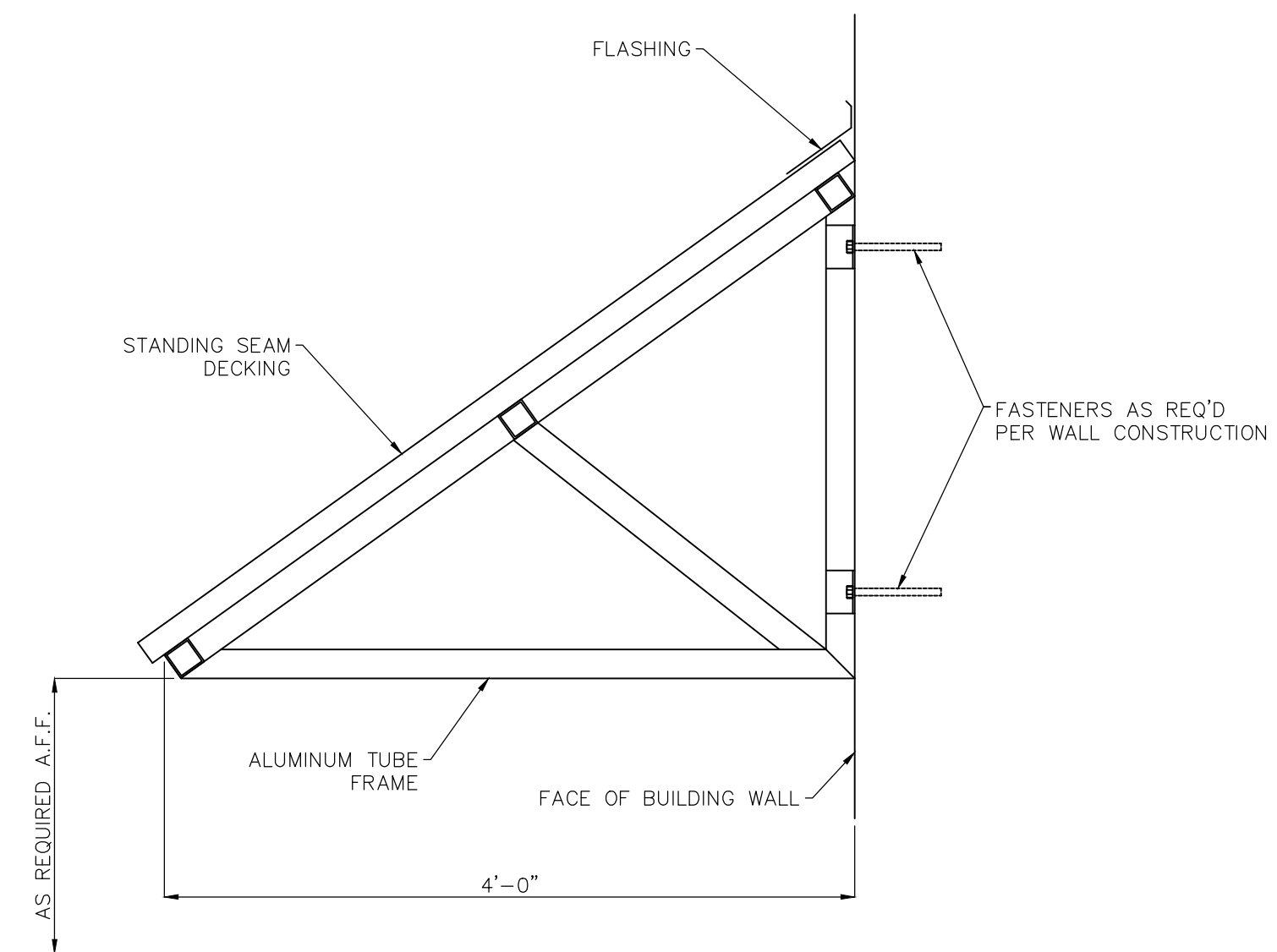
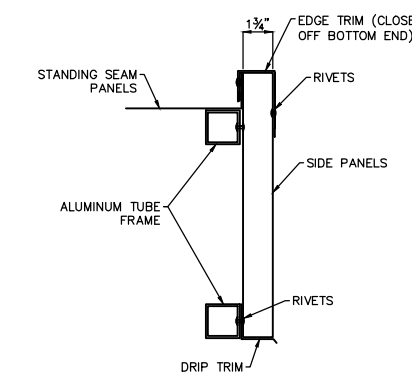


# AWNING SECTIONS

SECTION AT END OF AWNING  
WITH OPEN ENDS



SECTION AT END OF AWNING  
WITH CLOSED ENDS



AWNING SECTION